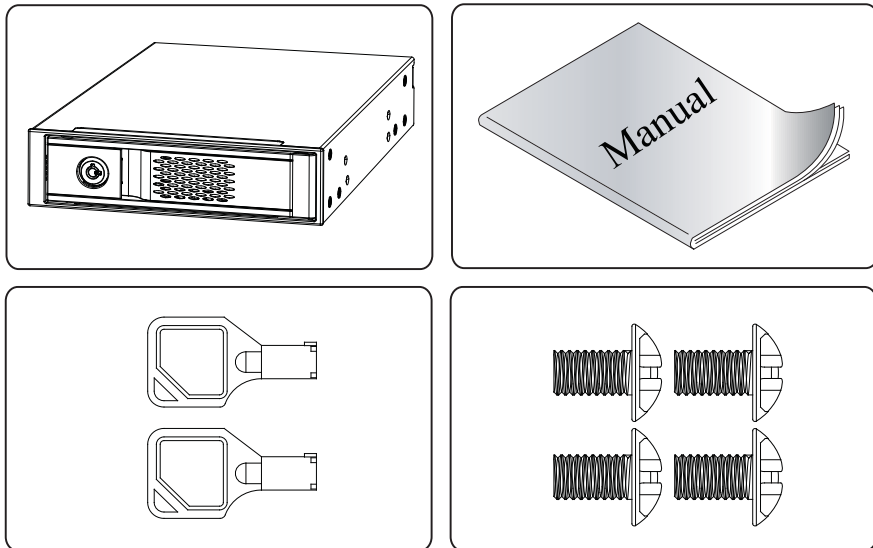


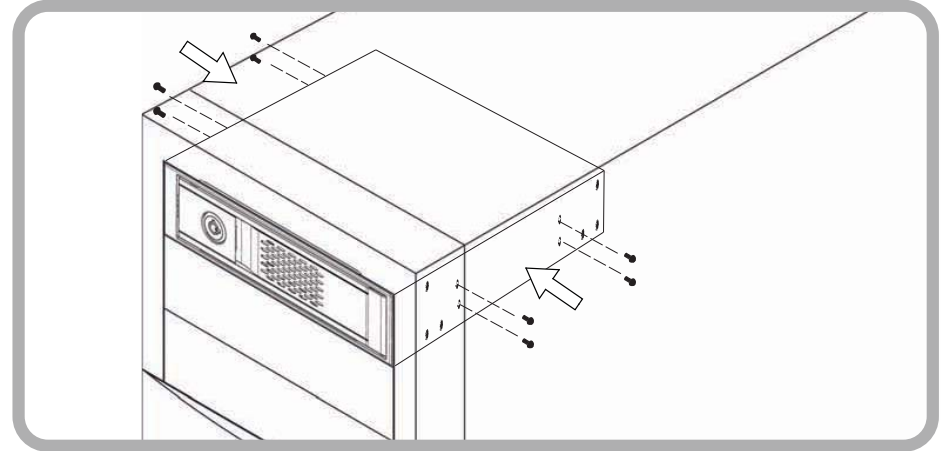
MB671SK Screw-less Internal SATA HDD Enclosure
 MB671IK Screw-less Internal SAS HDD Enclosure



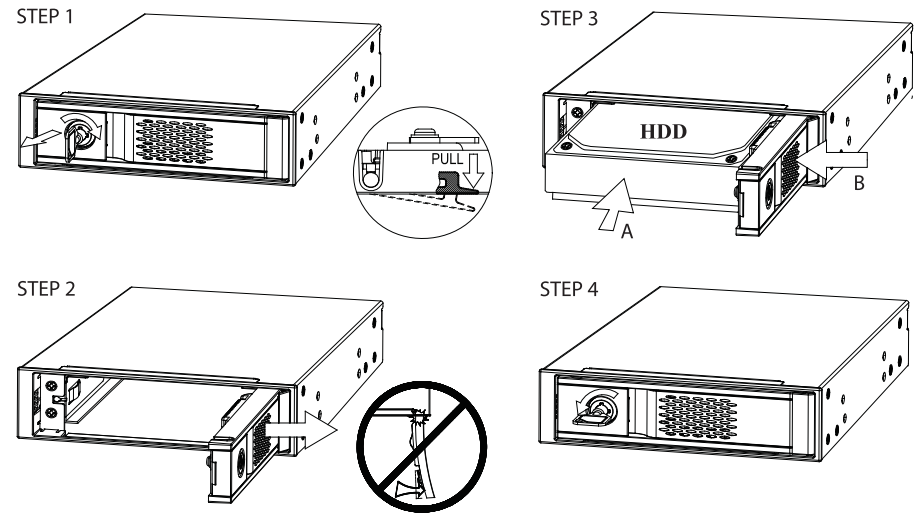
1. Package Contents 包裝說明



2. Installation Guide 安裝說明

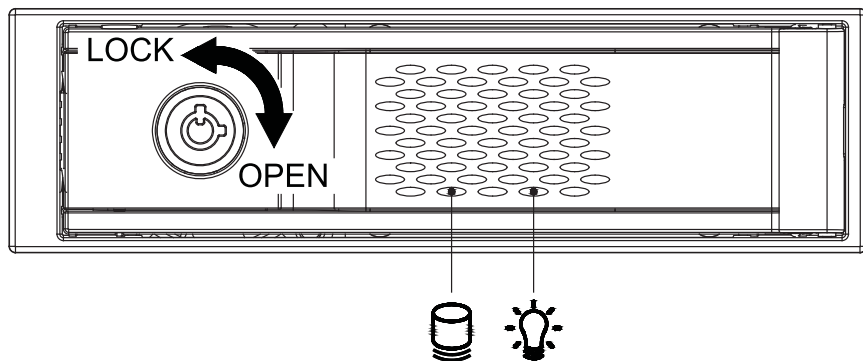


3. HDD Installation 硬碟安裝



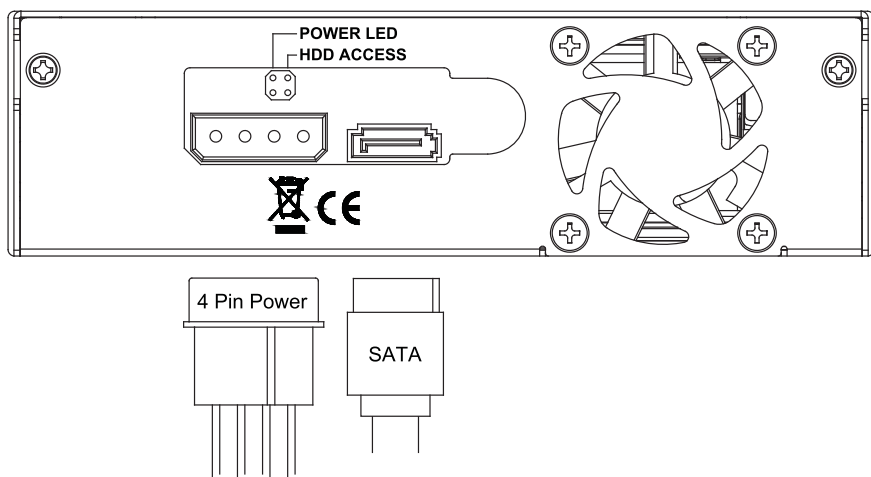
3. Appearance 產品外觀

3-1. Front Panel Description 面板說明：

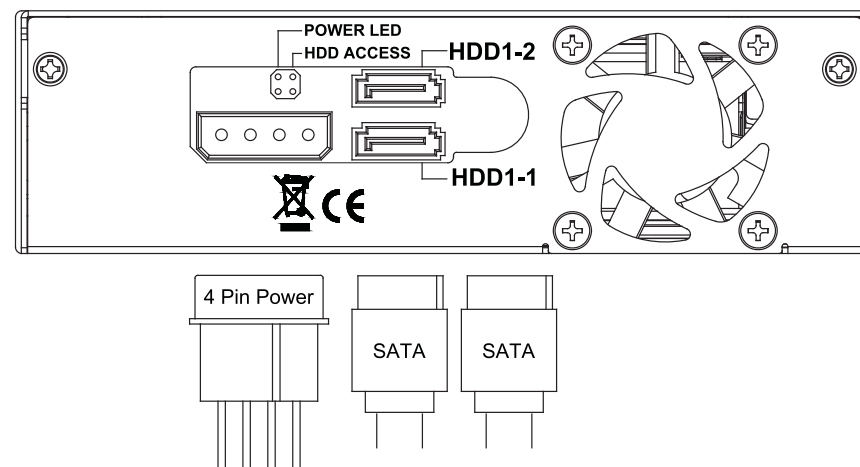


3-2. Back Panel Description 背板說明：

MB671SK



MB671IK



Note 註釋：

1. ICY DOCK reserves the right to change or to upgrade any technical specifications without prior notice.
2. ICY DOCK will not be liable for any software, hardware, and/or stored data that may become damaged or dysfunctional through the usage of our product. ICY DOCK will only be responsible for repairing and servicing its own product.
3. Due to specification differences between SATA I and SATA II hard drives, the LED will only work with SATA II hard drives. To enable the enclosure's LED with SATA I hard drives, please refer to Note 4.
4. To allow the enclosure's LED to work with SATA I hard drives, you will need an optional HDD Access cable. Please connect the Access signal pins provided on the backplane of the enclosure to the respective Host Port's Access signal pins. Please refer to your host port's instruction manual to locate its Access signal pins.
5. To determine if SATA II hard drives have built-in HDD Access signal, please refer to your HDD manufacturer's specifications.
6. To perform hot-swap function, the host side must also support hot-swap.
7. For any further inquiries about ICY DOCK product or related product information, please visit <http://www.icydock.com>.

1. 本公司保留產品升級與變更之權利，如改版，恕不另行通知。
2. 如因使用本產品而造成其它相關設備之故障，本公司僅負擔自屬產品之維修責任，造成其它設備毀損概不負責。
3. SATA II HDD 規格有規範HDD ACCESS 訊號，而SATA I HDD 無此規範。
4. 因 SATA I 硬碟本身不支援 HDD Access 訊號，如欲該訊號產生，則需使用 HDD Access 連接線，連接 ACC IN Access 再連接至可提供 Access 訊號之HOST端，使其燈號動作。
5. SATA II HDD 是否有內建HDD ACCESS 訊號功能，需參照各家硬碟製造廠設計規範。
6. 若欲完全使用Hot-swap的功能則Host端也需要支援Hot-swap功能。
7. 如欲知更多產品資訊，歡迎上網瀏覽本公司網站：www.icydock.com